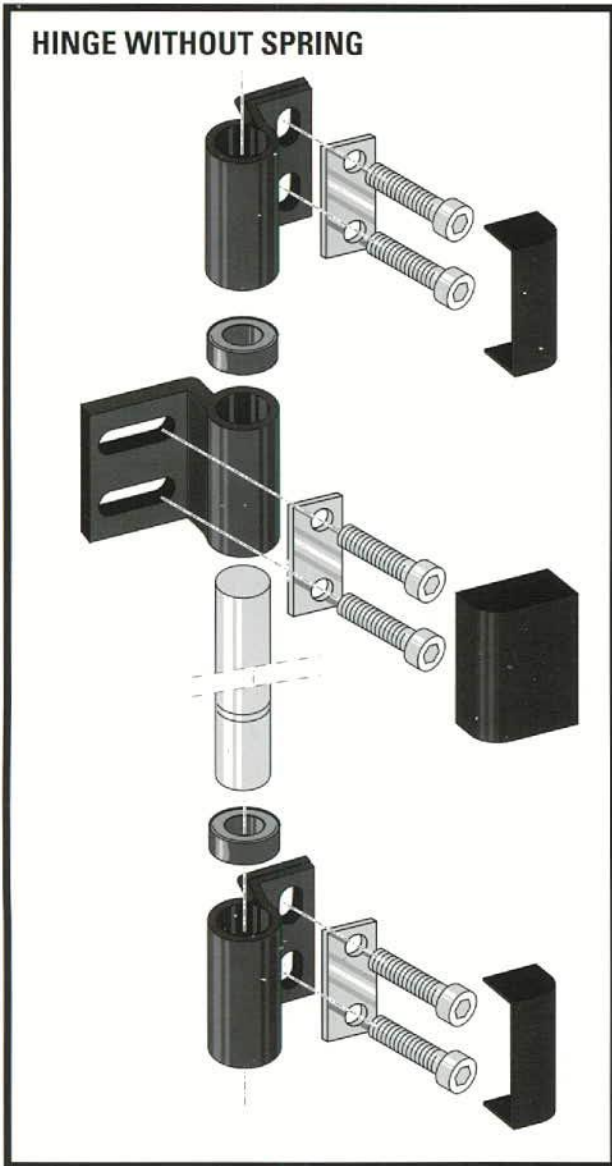
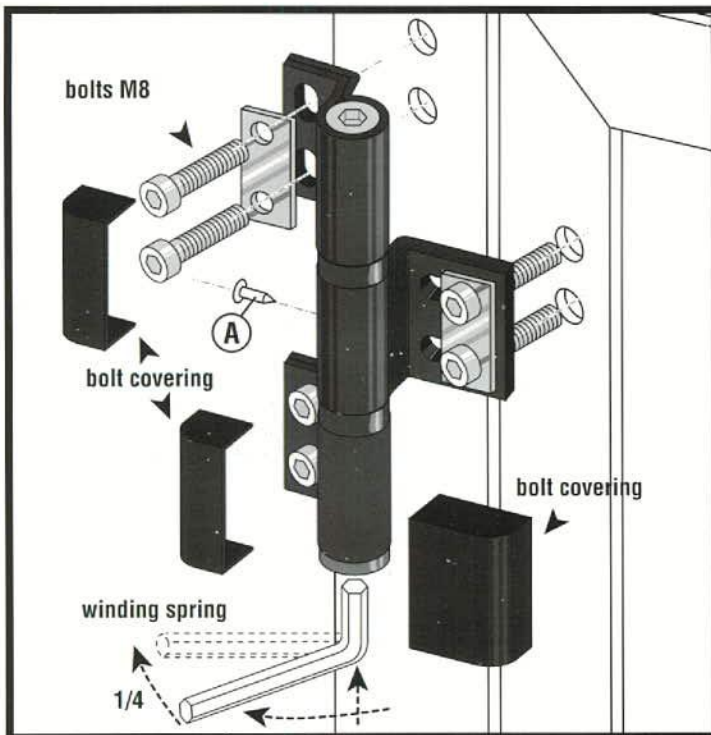
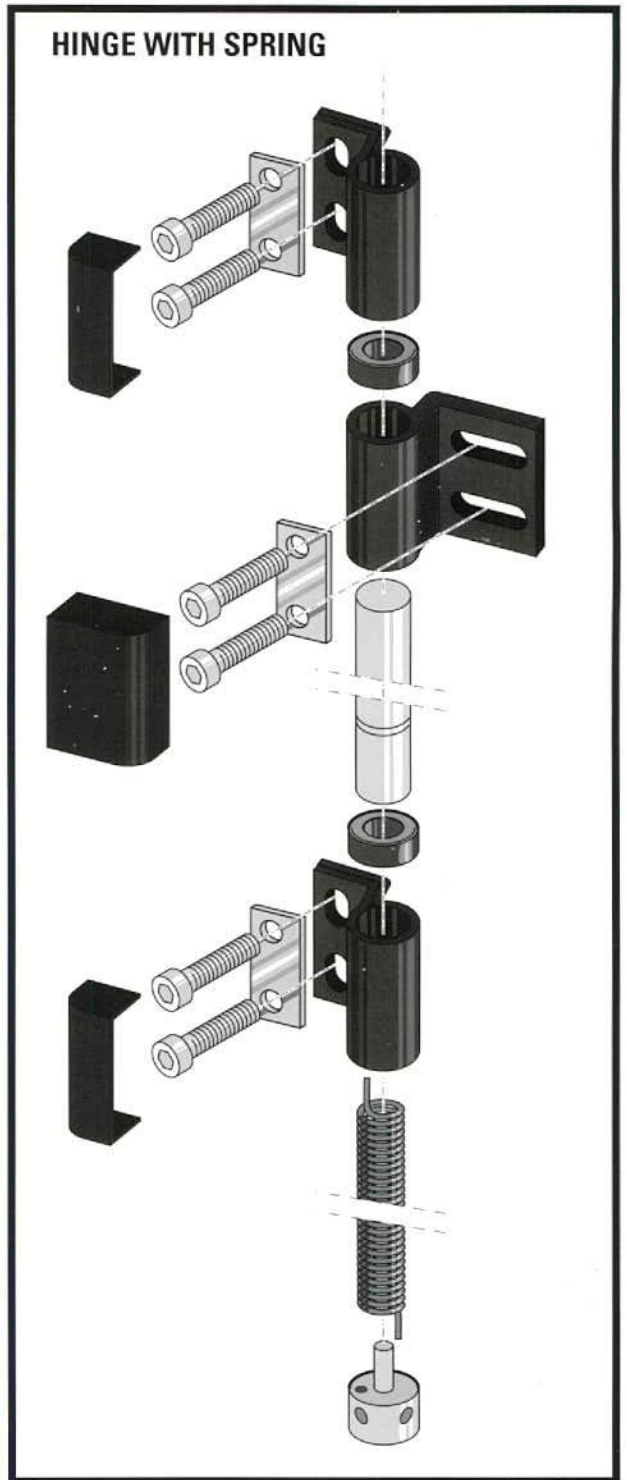


HINGE WITHOUT SPRING



HINGE WITH SPRING



Instructions for winding springs:

- 1 = Insert spanner.
- 2 = Load until the screw (A) is out.
- 3 = Load and turn 1/4.
- 4 = Put the screw (A) in again.
- 5 = If not sufficient, try again.