

ELECTRIC HANDLE

It's a new system for enter control. It can be mounted without holes and any alteration on the prototype **certified**, different from previous systems in the fire proof market.

The electric handle works both in pushing and pulling side, with distance control (budge, manual switch, transmitter, etc.). It can be mounted with panic bars, without changing their characteristics (we suggest to install the PUSH BAR in order to hide cables).

CLEAR INSTALLATION

- The electric handle is simple and fast to install, it can substitute the mechanical handle, without alteration of the door.

FUNCTION

- Distance control with impulse switch
If you press the switch, you give the impulse to the electric handle, and the door can be opened in 30 sec. If not, the handle defuses the impulse. You can open the door only once.
- Distance control with ON-OFF switch
The switch in ON position keeps the handle activated, you can open the door continuously, in permitted period (special function).
- Opening with key
The electric handle is suitable for mounting the European cylinder for mechanical working of the lock.

TECHNICAL DETAILS

- Voltage 12V ca CE
- Box in galvanised steel
- Covering in painted aluminium

COLOUR

- Standard: black colour

STANDARD EQUIPMENT

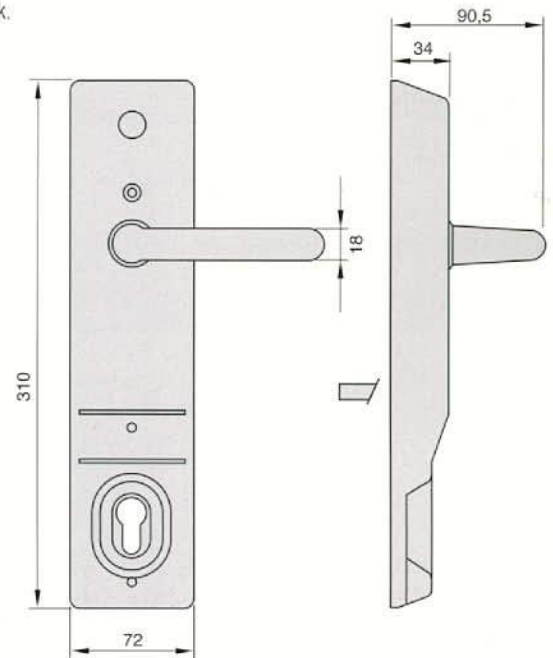
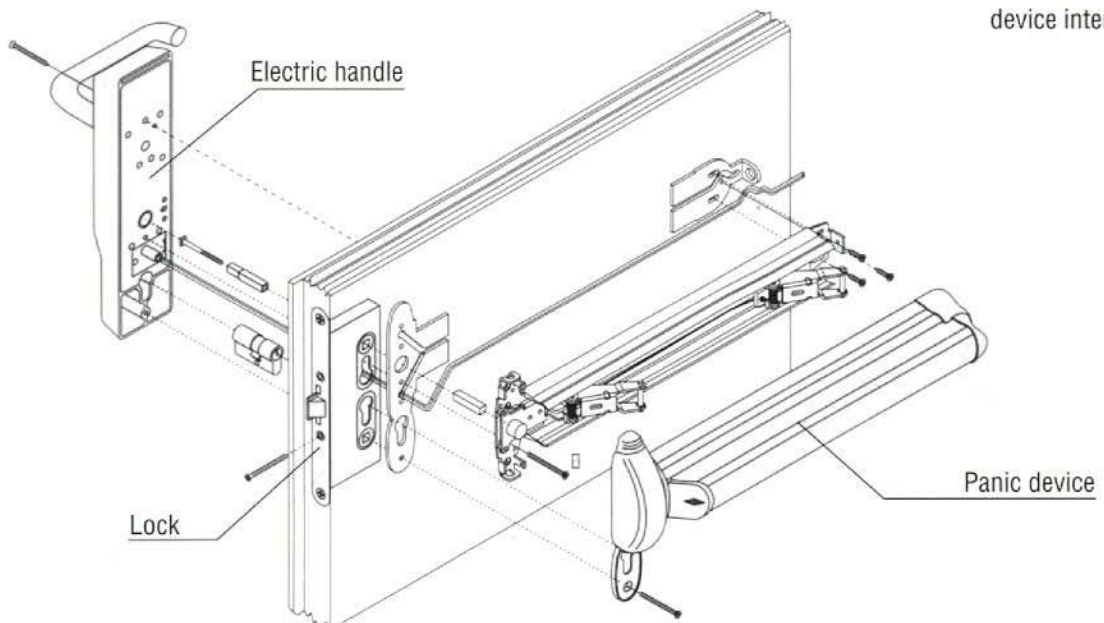
- Feeding cable
- Handle
- Square shaft 8/9
- Metal thickness for panic device
- Fixing screws
- Mounting instructions

OPENING

One for door right or left

SPECIAL EQUIPMENT

Signal for door opened

**MOUNTING INSTRUCTIONS**

Example of electric handle with panic device internal side